

Corner Cabinet Pivoting Extension

Cabinet Fittings

Drawer/Extension

Extension and revolving fittings



Corner cabinet pivoting extension fitting

Finish: steel, plastic coated
runner: steel, galvanized

for internal height: **507 – 770 mm** (2 levels)

extendable to the:	right	left
white, RAL 9010	546.17.720	546.17.739
white aluminium, RAL 9006	546.17.220	546.17.230

for internal height:

1225 mm (4 levels, 2 sets of baskets required)

extendable to the:	right	left
white aluminium, RAL 9006	546.17.240	546.17.241

Packing: 1 piece



Set of baskets

for corner cabinet pivoting extension
consisting of:

2 baskets, size: 305 x 472 x 85 mm (W x D x H)

2 baskets, size: 390 x 472 x 85 mm (W x D x H)

Finish: steel, chrome-plated

Cat. No.	546.17.266
----------	------------

Packing: 1 set (4 pcs.)

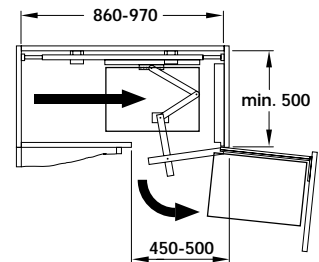
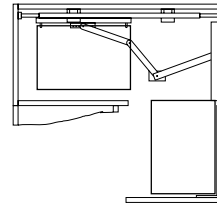
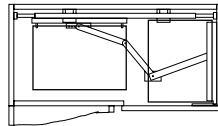
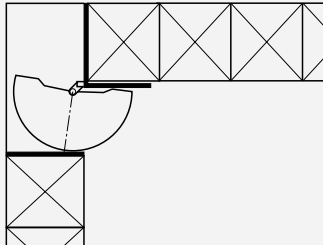


Function diagram

1. Closed

2. Extended

3. Extended and pivoted



Semicircular revolving fitting

with predrilled tubular spindle
height 565 mm (incl. mount)

consisting of:

1 piece tubular spindle Ø 25 mm, steel, chrome-plated

2 pcs. semicircular revolving shelves

surround: steel, chrome-plated

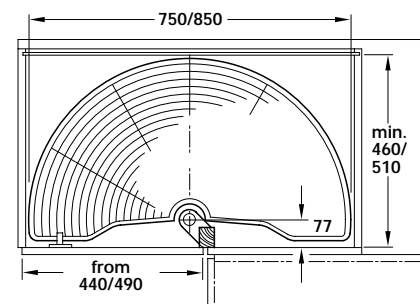
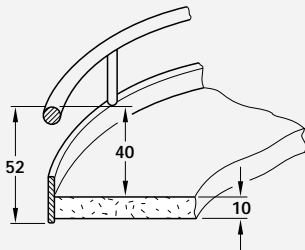
shelf: wood, plastic coated, white

1 piece driver

polyamide, white aluminium RAL 9006

For revolving door widths from	Size (mm)	Cat. No.
440 mm	750 x 420 x 90	542.30.220
490 mm	850 x 470 x 90	542.30.230

Packing: 1 set



Dimensional data not binding.
We reserve the right to alter specifications without notice.